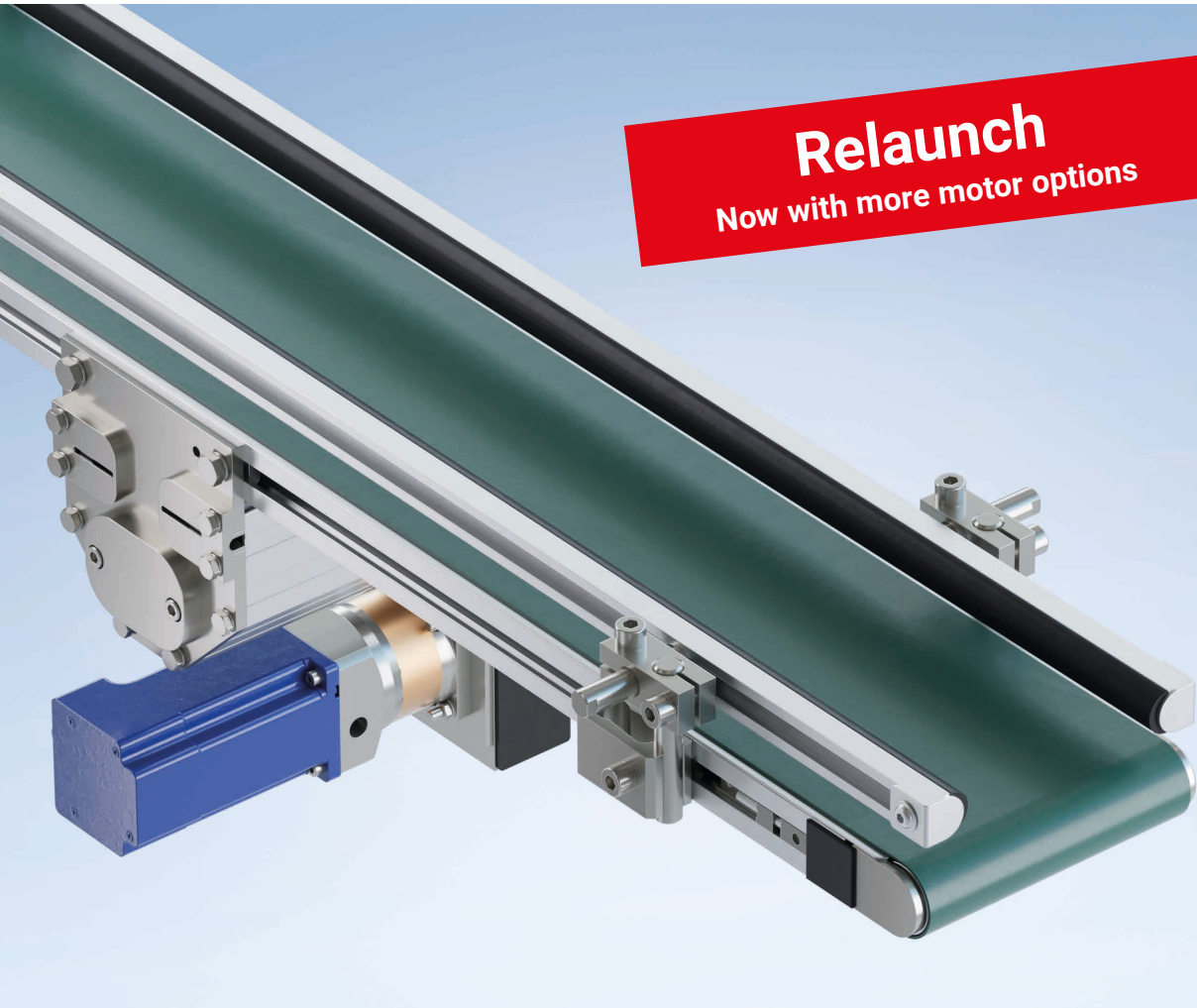




Belt Conveyor GUF-P MINI

Relaunch
Now with more motor options

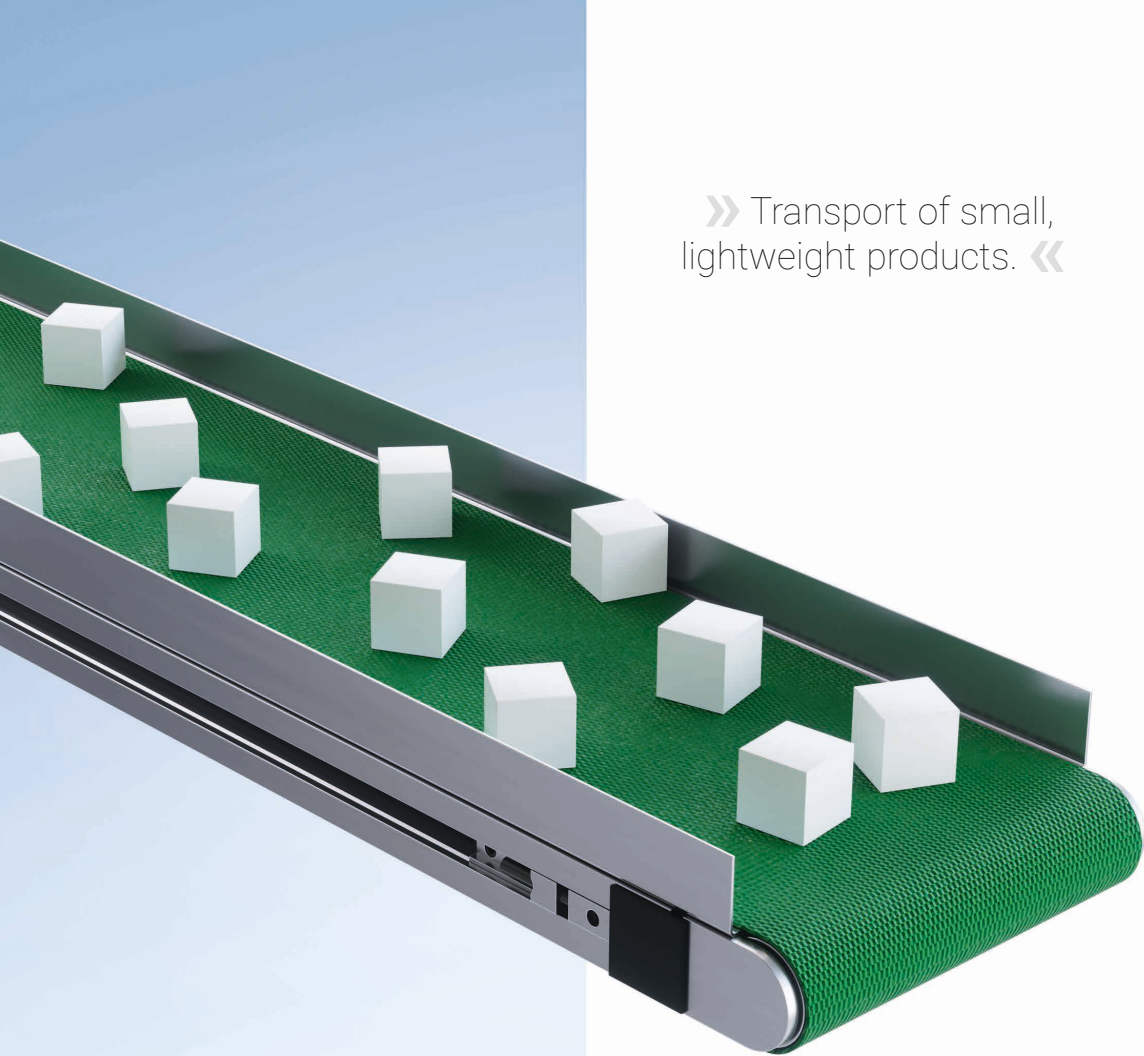


Edition 1.0

Simple integration into systems.
Ideal for small, lightweight products.

Belt Conveyor GUF-P MINI

» Transport of small, lightweight products. «



Thanks to its minimal height, the GUF-P MINI is ideal for use in systems with limited installation space. The small tails (with optional \varnothing 12 mm knife edge) allow small products to be transferred reliably.

Crowned driving and idler rollers simplify belt adjustment and ensure that the belt runs in the centre of the conveyor frame. With its large selection of belt and drive options, the GUF-P MINI can be deployed anywhere. The right motor is available for every application, from asynchronous AC motors, to DC motors and stepper motors.

10 mm T-slots running along both sides let you easily mount the conveyors on existing machine frames or attach stands, side rails, initiators and other accessories.

Benefits of the GUF-P MINI

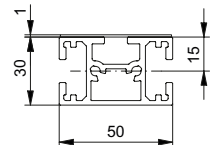
- Economical transport of small, lightweight products
- Low height for easy integration in restricted installation conditions
- Secure transfer of small products, with optional knife edge
- Wide variety of drive options and belt designs to suit any application
- Large selection of asynchronous AC motors, DC motors and stepper motors
- Flexible operation in reverse, accumulation and cyclic modes

New features

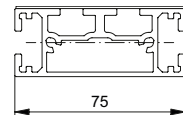
- Completely new conveyor frame design with 10 mm standard slot
- Option of \varnothing 12 mm knife edge
- Addition of AF direct head drive and BF lower belt drive
- New width variants from 50 to 300 mm
- Additional 24 V DC motor and 48 V stepper motor

Cross sections

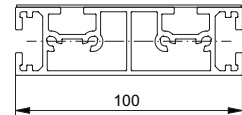
Profile mk 2020



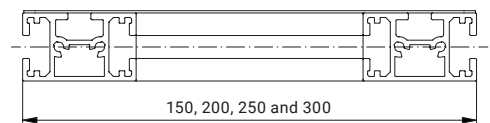
Profile mk 2021



Profile mk 2022



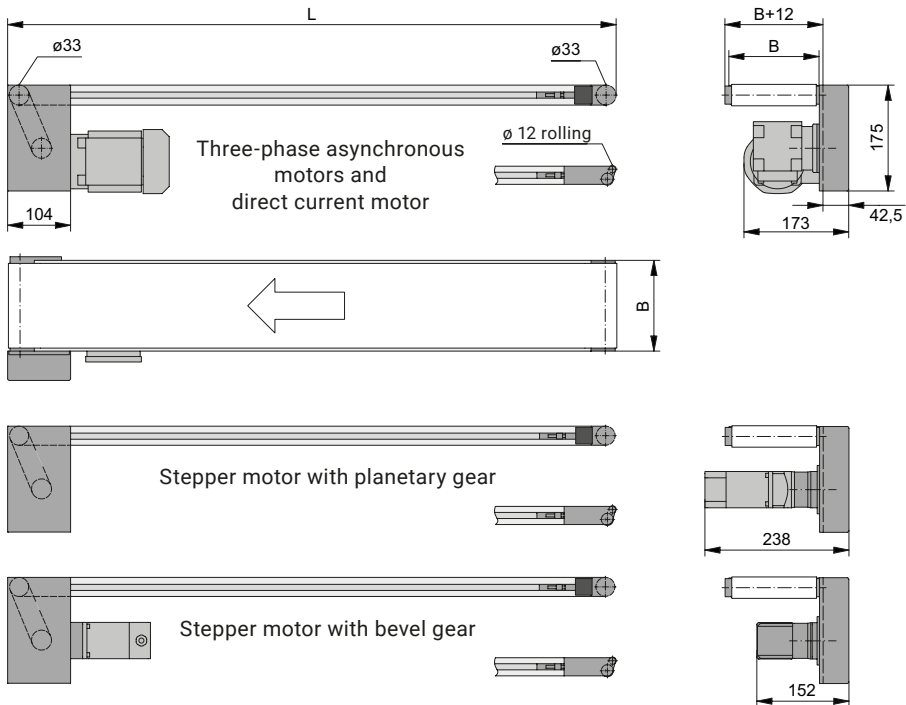
Profile mk 2020 frame construction



AC – Standard head drive

B20.75.040

The compact conveyor frame design with the most popular drive variants makes it easier to integrate the conveyor into existing systems.



Technical data

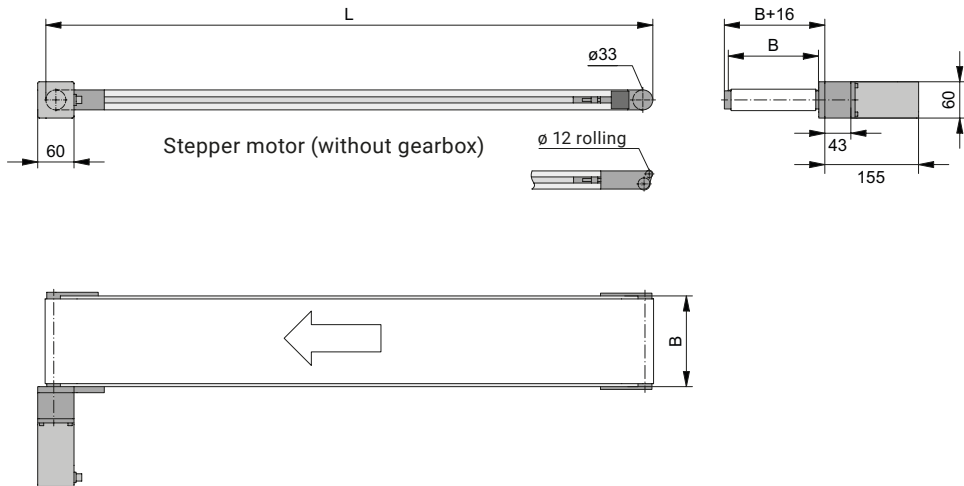
Conveyor length L	individual from 350-3.000 mm	
Conveyor width B	50, 75, 100, 150, 200, 250 and 300 mm	
Belt width	B-10 mm	p. 11
Drive location	discharge end left/right underneath/above	
Motor options	Three-phase asynchronous motors 230 V, direct current motors 24 V and stepper motors 48 V	
Drive and speed	Intermediate chain drive; up to 30 m/min.	
Stands	Single stands S51.2 and S53.32, plus moveable stands S53.11 and S53.11	from p. 12
Side rails	SF1.3 and SF01	from p. 16
Standard total load	up to 15 kg	



AF – Direct head drive

B20.75.041

The compact conveyor frame design makes it easier to integrate the conveyor into existing systems. Since the motor is fitted directly onto the drive shaft, the space requirements and maintenance effort for this drive version are reduced to a minimum.



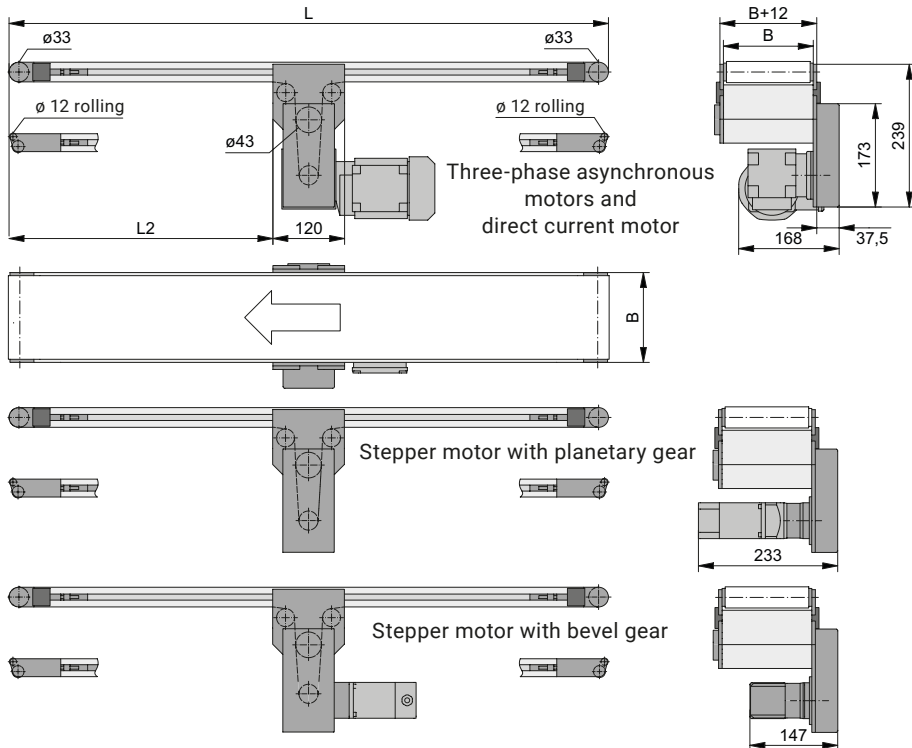
Technical data

Conveyor length L	individual from 350-3.000 mm	
Conveyor width B	50, 75, 100, 150, 200, 250 and 300 mm	
Belt width	B-10 mm	p. 11
Drive location	discharge end left/right	
Motor options	Stepper motors 48 V	
Drive and speed	Direct drive; up to 30 m/min.	
Stands	Single stands S51.2 and S53.32, plus moveable stands S53.11 and S53.11	from p. 12
Side rails	SF1.3 and SF01	from p. 16
Standard total load	up to 15 kg	

BC – Lower belt drive, standard

B20.75.042

The position of the drive between the tensioning elements can be freely selected by specifying L2. This makes the conveyor extremely flexible when integrating into existing systems.



Technical data

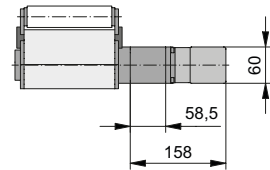
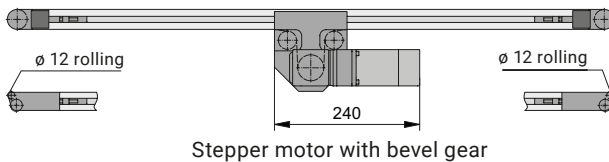
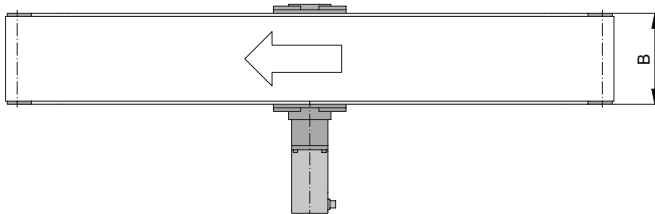
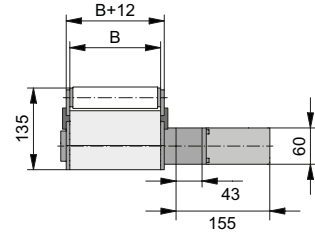
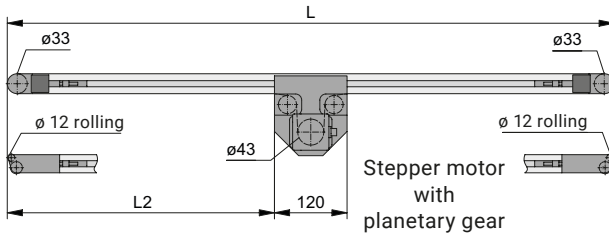
Conveyor length L	individual from 500-3.000 mm	
Conveyor width B	50, 75, 100, 150, 200, 250 and 300 mm	
Belt width	B-10 mm	p. 11
Drive location	left/right	
Motor options	Three-phase asynchronous motors 230 V, direct current motors 24 V and stepper motors 48 V	
Drive and speed	Intermediate chain drive; up to 30 m/min	
Stands	Single stands S51.2 and S53.32, plus moveable stands S53.11 and S53.11	from p. 12
Side rails	SF1.3 and SF01	from p. 16
Standard total load	up to 15 kg	



BF – Lower belt drive, direct

B20.75.043

The position of the drive between the tensioning elements can be freely selected by specifying L2. This makes the conveyor extremely flexible when integrating into existing systems. Since the motor is fitted directly onto the drive shaft, the space requirements and maintenance effort for this drive version are reduced to a minimum.



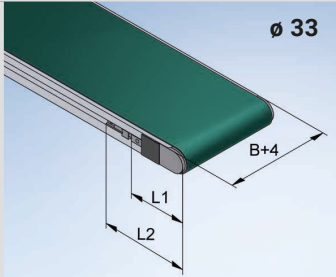
Technical data

Conveyor length L	individual from 500-3.000 mm	
Conveyor width B	50, 75, 100, 150, 200, 250 and 300 mm	
Belt width	B-10 mm	p. 11
Drive location	left/right	
Motor options	Stepper motors 48 V	
Drive and speed	Direct drive; up to 20 m/min	
Stands	Single stands S51.2 and S53.32, plus moveable stands S53.11 and S53.11	from p. 12
Side rails	SF1.3 and SF01	from p. 16
Standard total load	up to 15 kg	

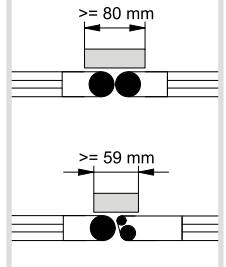
GUF-P MINI Tails

Tail 11, standard

B8001AA ...



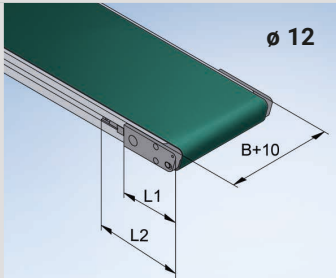
- Crowned roller \varnothing 33 mm
- Tail, flush to the side
- Belt tensioning and adjustment on the side using the tensioning elements



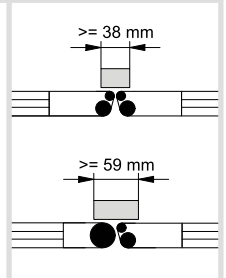
Conveyor length L	Conveyor width B	L1	L2	Head part material	Item number
≤ 3.000 mm	50 mm	85 mm	130 mm	Aluminium	B8001AA0050
	75 mm				B8001AA0075
	100 mm				B8001AA0100
	150 mm				B8001AA0150
	200 mm				B8001AA0200
	250 mm				B8001AA0250
	300 mm				B8001AA0300

Tail 13, knife edge

B8001AB ...



- Rolling knife edge \varnothing 12 mm
- Belt tensioning and adjustment on the side using the tensioning elements
- Due to the permissible minimum bending radius only with belt:
 - GU-T0105-003BL
 - GU-U0305-004WE
 - GU-U0305-024LB



Conveyor length L	Conveyor width B	L1	L2	Head part material	Item number
≤ 3.000 mm	50 mm	85 mm	130 mm	Aluminium	B8001AB0050
	75 mm				B8001AB0075
	100 mm				B8001AB0100
	150 mm				B8001AB0150
	200 mm				B8001AB0200
	250 mm				B8001AB0250
	300 mm				B8001AB0300

Notes



Belts

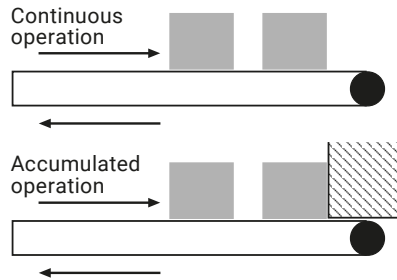
General Information

For the most part, the belt types listed here meet all requirements. Other belts are available on request.

Accumulating belts are designed for long-term accumulated operation and have corresponding surface properties (friction coefficient).

Belts with limited accumulation capability are not designed for long-term accumulated operation. Relative motion is permitted, e.g. when running up against an end stop, in case of slight speed differences from one conveyor to the next, or with transverse movement of light loads (with laterally stiff belts only).

The non-accumulating belts, also known as anti-slip belts, have a structure or friction coefficient that provides high grip.



Order Designation

GU -U 03 03 -001 WE

Transport medium GU = belt

Material, carrying side of the transport medium

Surface condition

K1% value* rounded to 0 decimal places

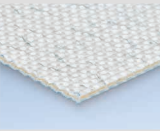
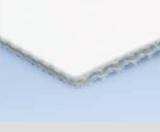
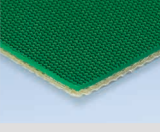
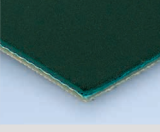
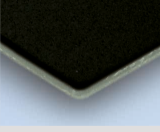
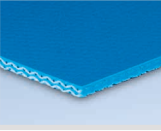
Consecutive mk number

Colour, carrying side

Material		Surface condition		Colour, carrying side **	
-F	Felt	01	Allows for accumulated operation	BL	Transparent
-R	Rubber (NBR)	02	Allows for restricted accumulated operation	WE	White
-T	Polyester (PET)	03	Not suitable for accumulated operation	LB	Blue
-U	Polyurethane (PU)			DG	Green
-V	Polyvinyl chloride (PVC)			SW	Black

* The K1% value is the force with which the belt is stretched by 1% per mm of width. It is an indication of the strength and therefore the load capacity of the belt.

** Depending on the batch, the colour of the belt may differ from the example in the photograph in this catalogue.

Item no. and designation	Allows for accumulated operation	Material	Colour	Surface	Min. ø of the tail	Permissible temperature	Approx. belt thickness	Properties
K1029003 GU-T0105-003BL								
	Yes	PET	Transparent	Woven	8 mm	-10 to 90 °C	1,2 mm	Laterally stiff, anti-static, FDA-compliant, oil-resistant*, suitable for knife edge
K1029004 GU-U0305-004WE								
	No	PU	White	Smooth	8 mm	-30 to 90 °C	1,5 mm	Laterally stiff, anti-static, FDA-compliant, oil-resistant*, suitable for knife edge
K1029005 GU-R0303-005DG								
	No	NBR	Green	Woven	25 mm	0 to 80 °C	2,0 mm	antistatic, oil-resistant*, cut-proof**
K1029009 GU-V0303-009DG								
	No	PVC	Green	Smooth	14 mm	-10 to 70 °C	2,0 mm	antistatic
K1029010 GU-V0103-010SW								
	Yes	PVC	Black	Smooth	30 mm	-10 to 60 °C	1,9 mm	antistatic
K1029024 GU-U0305-024LB								
	No	PU	Blue	Smooth	6 mm	-30 to 100 °C	1,5 mm	Laterally stiff, anti-static, FDA-compliant, oil-resistant*, suitable for knife edge

* The belt's oil resistance may need to be tested based on the type of oil used.

** Cut-proof belts ensure a longer service life when transporting sharp products such as stamped parts.

Stands

Single Stand S51.2

B67.04.002

Single stand with profile mk 2004 for conveyors up to 250 mm wide.

Standard heights:

H 500 mm

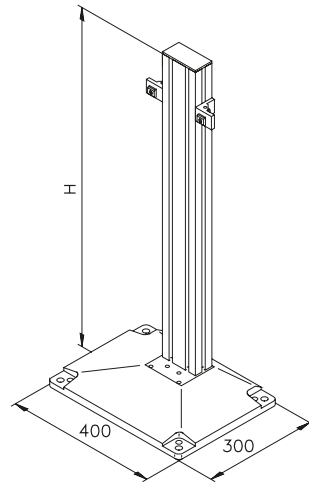
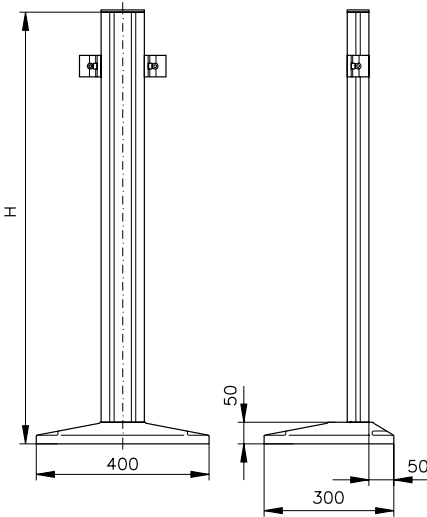
H 750 mm

H 1000 mm

H 1250 mm

H 1500 mm

- For conveyor width B: 50-250 mm
- Maximum conveyor length L per stand: 1,200 mm





Stand S53.32

B67.06.016

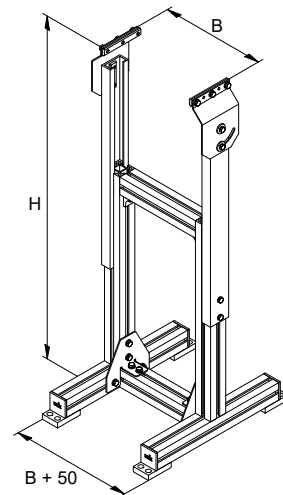
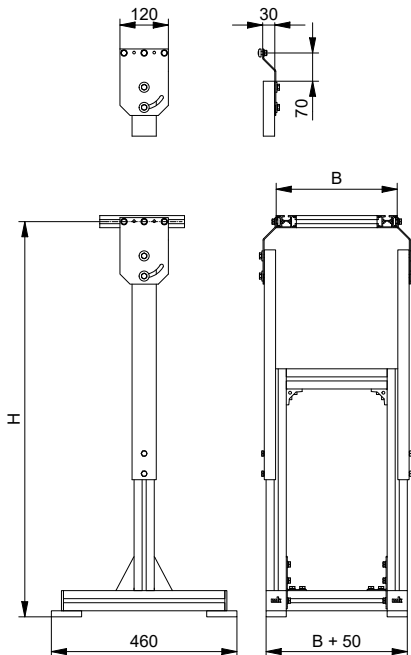
Medium-weight height-adjustable stand with base traverse in H design with mk 2014 profile.

Standard heights with adjustment range:

- H 450 mm ± 25 mm
- H 500 mm ± 50 mm
- H 600 mm ± 50 mm
- H 700 mm ± 100 mm
- H 800 mm ± 150 mm
- H 1000 mm ± 200 mm

- For conveyor width B: 300 mm
- Maximum conveyor length L: 1,200 mm

Mounting Version C



Stands

... for light loads

Stand S53.11

B67.06.002

Lightweight height-adjustable stand with base traverse in H design with mk 2001 profile. The stand is suitable for fixed casters and swivel casters.

Standard heights with adjustment range:

- H 400 mm ± 25 mm
- H 450 mm ± 25 mm
- H 500 mm ± 50 mm
- H 600 mm ± 50 mm
- H 700 mm ± 100 mm
- H 800 mm ± 150 mm

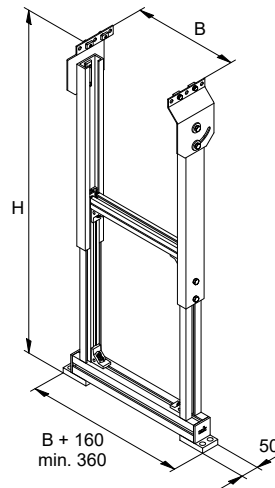
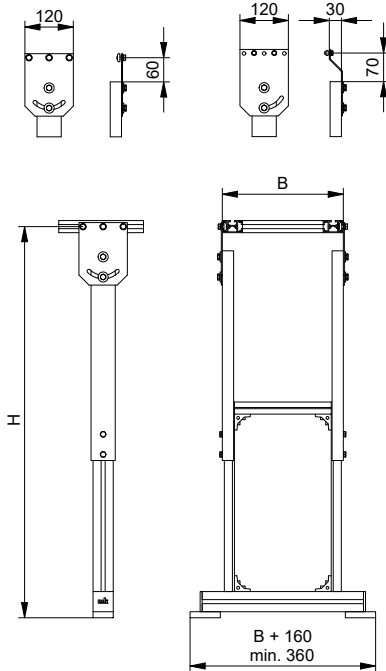
- For conveyor width B: 150-300 mm for mounting version B
- For conveyor width B: 50-300 mm for mounting version C



Mounting

Version B

Version C



As standard, mounting version B is used. Version C is necessary when using lateral cleats up to the edge of the belt.



... for light loads

Stand S53.11, mobile

B67.06.100

Lightweight height-adjustable stand with base traverse in mobile H design with mk 2001 profile.

Standard heights with adjustment range:

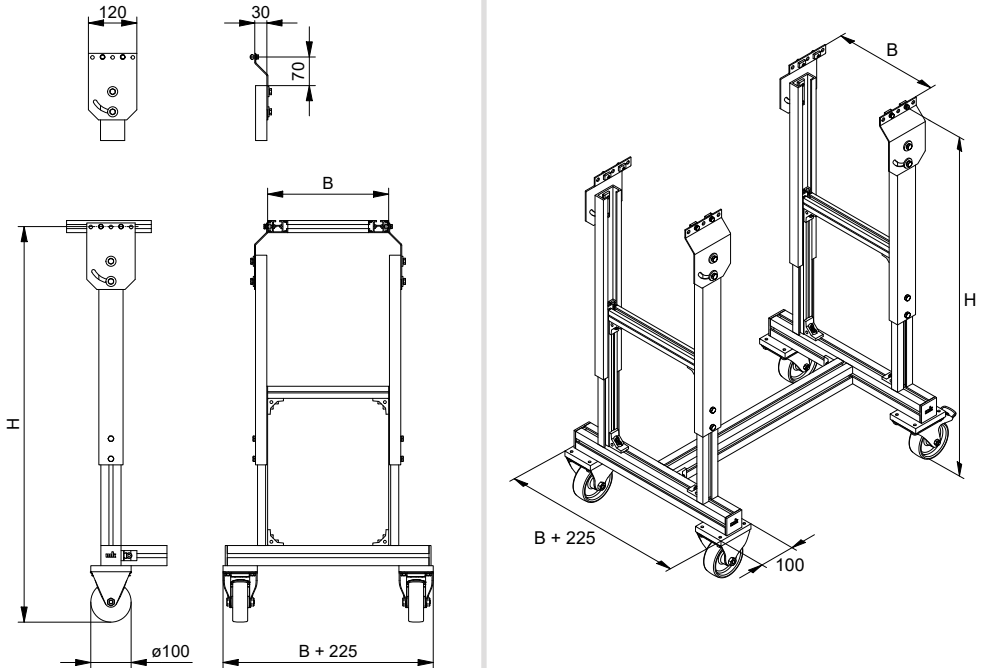
H 600 mm ± 25 mm

H 700 mm ± 50 mm

H 800 mm ± 100 mm

■ For conveyor width B: 100-300 mm

Mounting Version C



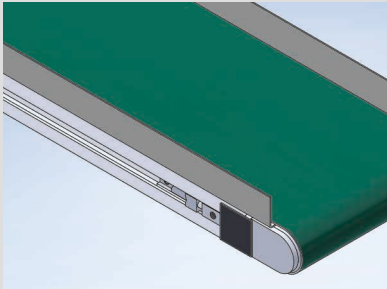
Side rails

Fixed Side Rails

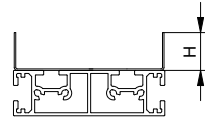
The side rails for occasional adjustment allow you to vary the usable width and height. The conveyor can be quickly and easily adapted to the specific conditions and products. The side rails are comprised of the side rail holders and the side rail strips on the next page. Strip type 22 can be seen in the diagrams below. The side rails can be fitted on one or both sides and can be removed.

Side Rail SF1.3

B17.00.003



H = 10-50 mm





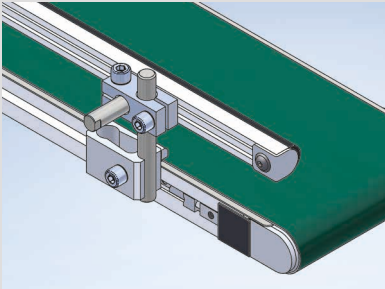
Adjustable Side Rails

The side rails for occasional adjustment allow you to vary the usable width and height. The conveyor can be quickly and easily adapted to the specific conditions and products.

The side rail consists of side rail holder SF01 combined with side rail strips type 22 or type 23. The side rails can be fitted on one or both sides and are removable.

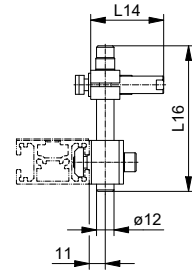
Side Rail SF01

B17.00.101



L14 = 50, 75, 100 mm
 L16 = 75, 100, 150, 200 mm

Holder HSF01 (single)
B27.01.001

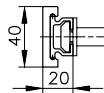
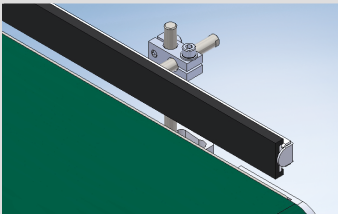


Side Rail Strips for SF01

Depending on the application and product, two types of wear strips are available. Combined with the adjustable side rail holders, they ensure the optimal positioning for the products.

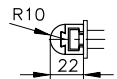
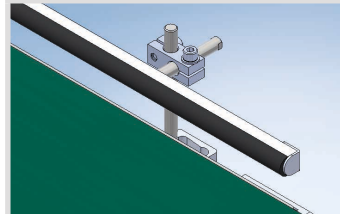
Guide rail type 22

B17.01.014

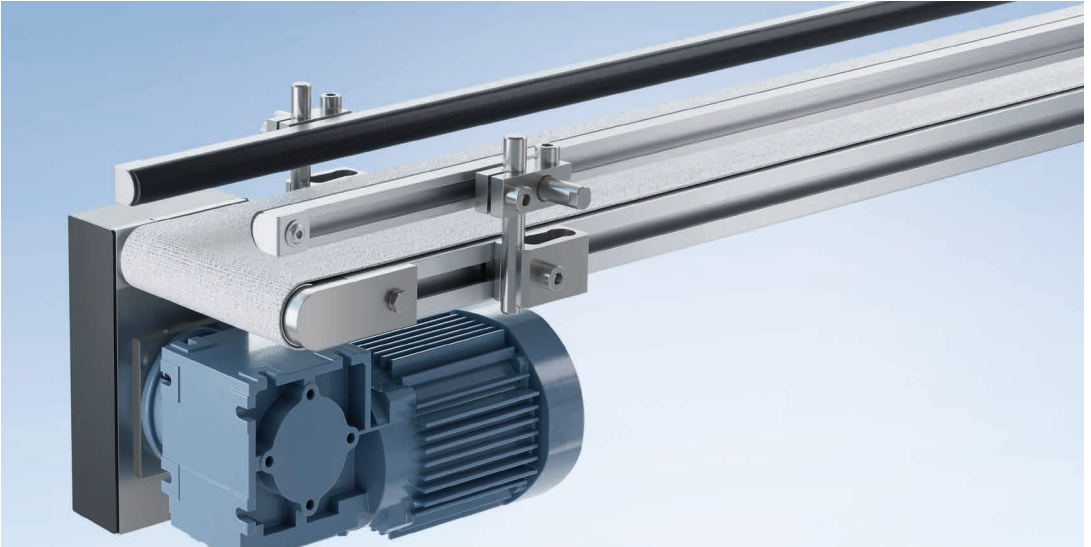


Guide rail type 23

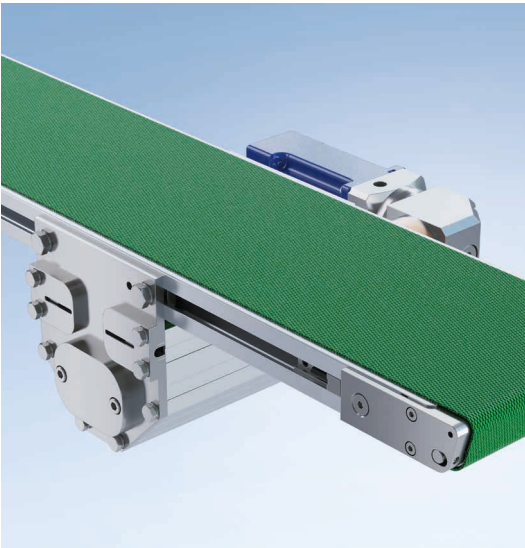
B17.01.015



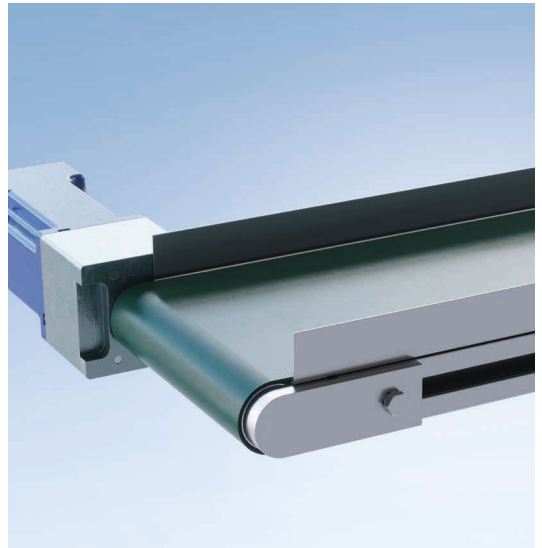
GUF-P MINI Examples



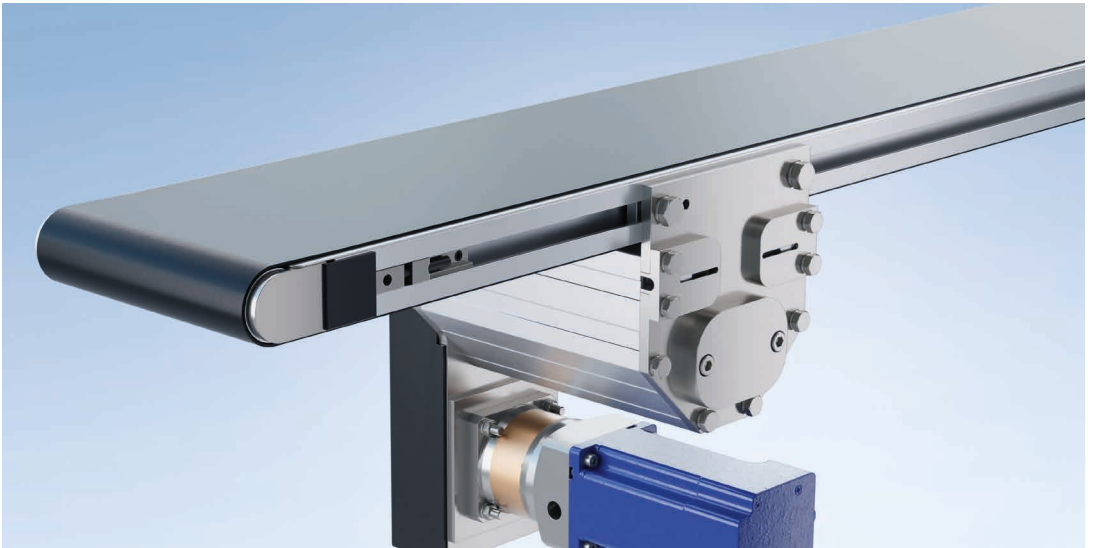
GUF-P MINI belt conveyor with AC head drive,
tail 11 ø 33 and side rail SF01



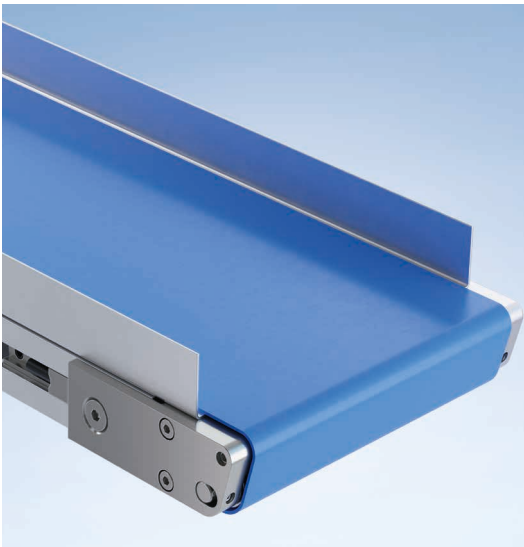
GUF-P MINI belt conveyor with BF lower belt drive
with 48 V stepper motor and planetary gear



GUF-P MINI belt conveyor with AF head drive
and 48 V compact stepper motor



GUF-P MINI belt conveyor with BC lower belt drive and 48 V compact stepper motor with planetary gear



GUF-P MINI belt conveyor with tail 13, \varnothing 12 knife edge and side rail SF1.3



GUF-P MINI belt conveyor with BC lower belt drive and 24 V DC motors



Maschinenbau Kitz GmbH
Headquarters of the
mk Technology Group

Ampèrestraße 18
53844 Troisdorf
Germany

Tel +49 228 4598-0
info@mk-group.com
www.mk-group.com

www.mk-group.com

